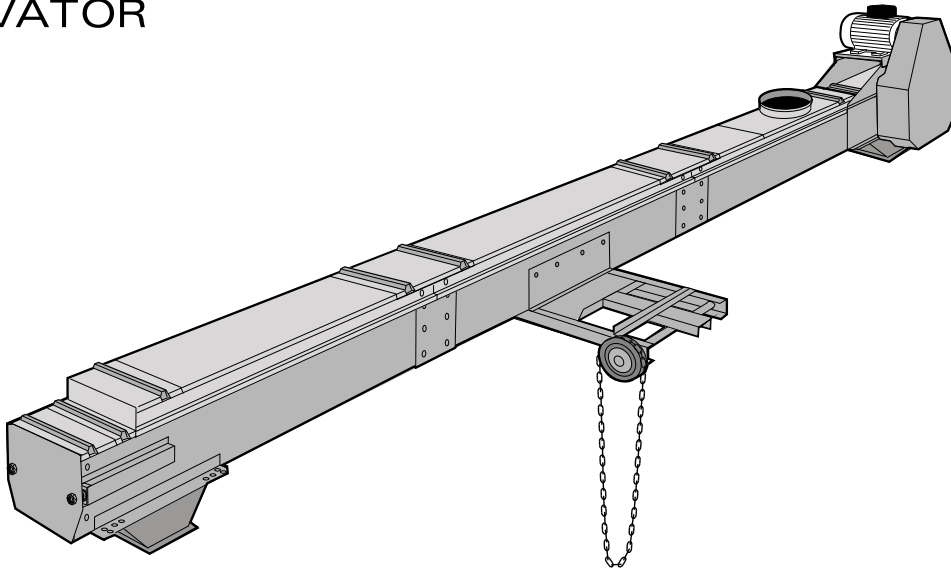




**SKANDIA
ELEVATOR**



Our machines are designed for outdoor use. We only use galvanised steel plate, and join the parts by means of clamp riveting and screwing in order to keep the surface layer intact. Edges are bent down, joints and seams overlap and many parts are embossed in order to prevent water penetration. The most exposed joints are also sealed with rubber strips or silicone. The products in the L-LINE are designed for plants with seasonal operations.

KTF/R

The top conveyor KTF/R is adapted in terms of capacity to transport material with flow-return function (transport in both directions) from a Skandia elevator to storage bins/silos.

STANDARD EQUIPMENT:

- > Motor with chain drive
- > Inlet for raised section
- > Outlet for drive
- > Belt tensioner in tail end
- > Bottom clean out hatch in tail end
- > Guide rails for return chain
- > Permanently lubricated bearings
- > Chain of steel with flight of plastic

ACCESSORIES:

- > Weather cover for motor
- > Direct-mounted gearbox motor with support frame
- > Weather cover for gearbox motor
- > Pop up overloading flap/inspection hatch with safety switch
- > Connections, hoppers & valves for different needs
- > Outlet slide (in several drive variants)
- > Weather cover for outlet slide
- > Chain with return buckets
- > Chain with brush cleaning flight
- > Wire support for up to a 12 metre span



Pop up overloading flap/inspection hatch with safety switch.



Chain with return buckets.

**GALVANISED
ENERGY EFFICIENT
SERVICE FRIENDLY
COMPACT
RELIABLE
EASILY MOUNTED**



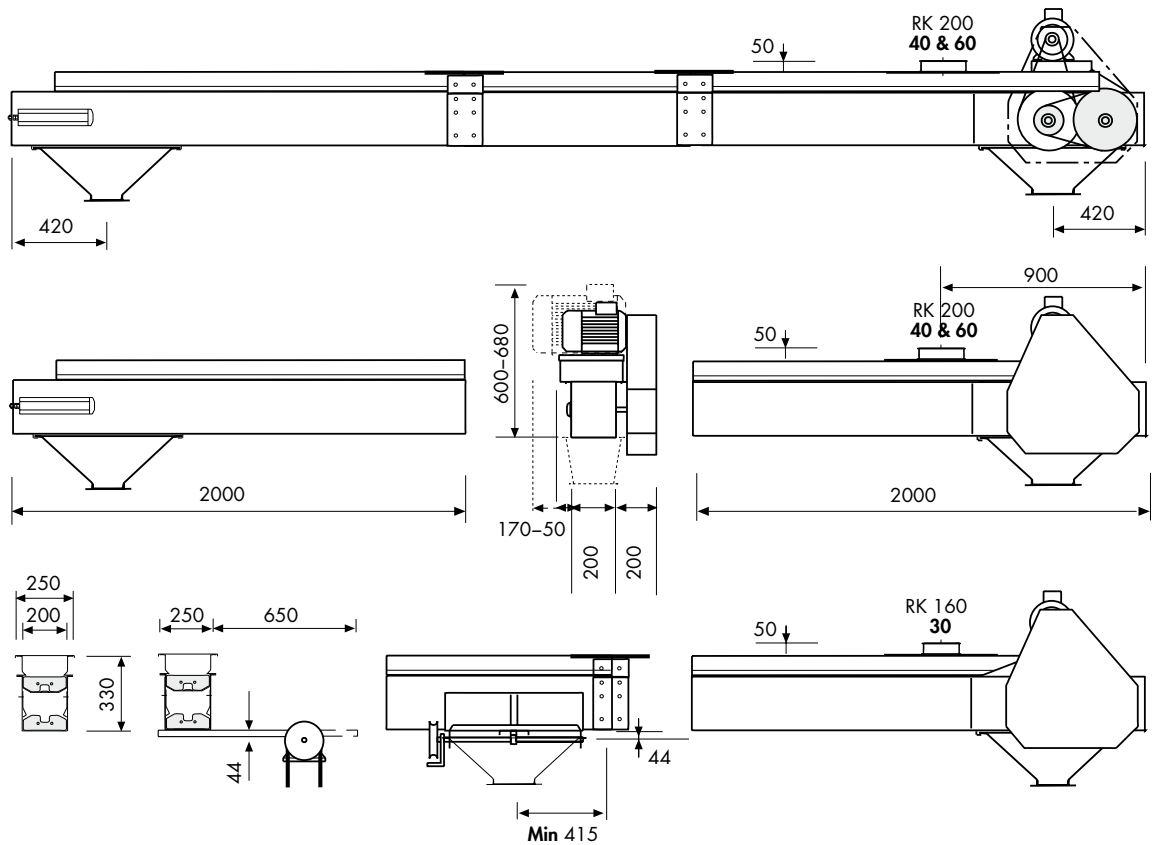
**THE
LEADING
COMPANY**



Direct-mounted gearbox motor with support frame.

KTF/R

DIMENSIONAL DRAWING



All drawings are available in CAD format.

KTF/R TOP CONVEYOR

		30 t/h	40 t/h	60 t/h
Capacity for 750 kg/m ³	t/h	34	48	73
Capacity	m ³ /h	45	64	97
Speed	rpm	75	106	159
Chain speed	m/s	0.46	0.65	0.98
Conveyor chain, type		S45V		
Pitch/ultimate tensile strength		mm/33 kN		
Flight, qty/m chain	pcs	3	4	6
Flight, material		Plastic (Polythene)		
Chain sprocket, teeth		9		
Intermediate section, width/height	mm	200 (250)/245		
Plate thickness drive, tail end	mm	1.5 (2.0)		
Plate thickness intermediate section	mm	1.5		
Plate thickness Inlet and outlet hoppers	mm	1.25		
ATEX class (standard equipment)		II 2D/OD		

