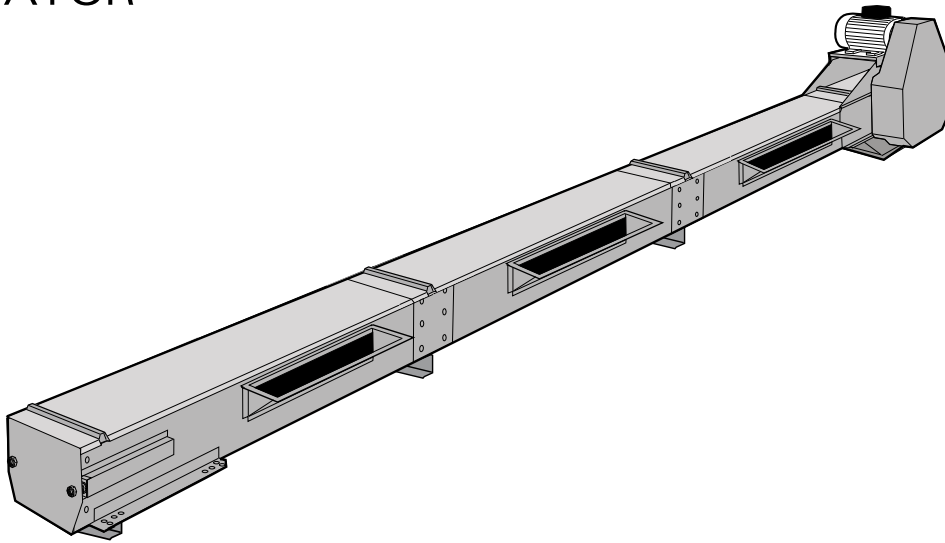




**SKANDIA
ELEVATOR**



Our machines are designed for outdoor use. We only use galvanised steel plate, and join the parts by means of clamp riveting and screwing in order to keep the surface layer intact. Edges are bent down, joints and seams overlap and many parts are embossed in order to prevent water penetration. The most exposed joints are also sealed with rubber strips or silicone. The products in the L-LINE are designed for plants with seasonal operations.



KTFb

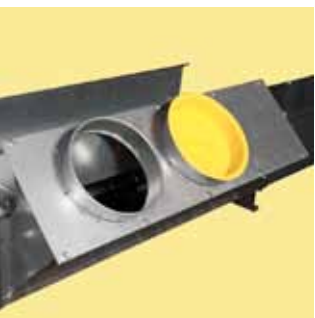
The bottom conveyor KTFb is adapted in terms of capacity to transport material from storage bins/silos or from another Skandia bottom conveyor to a Skandia belt & bucket elevator. When feeding from a storage bin/silo a raised inlet or side inlet is used that is self-regulating, which prevents overfilling.

STANDARD EQUIPMENT:

- › Motor with chain drive
- › Outlet for drive
- › Belt tensioner in tail end
- › Bottom clean out hatch in tail end
- › Guide rails for return chain
- › Permanently lubricated bearings
- › Chain of steel with flight of plastic

ACCESSORIES:

- › Inlet hopper/Self-regulating side inlet/Self-regulating raised inlet
- › Weather cover for motor
- › Direct-mounted gearbox motor with support frame
- › Weather cover for gearbox motor
- › Pop up overloading flap/inspection hatch with safety switch
- › Connections, hoppers & valves for different needs
- › Chain with brush cleaning flight



Self-regulating side inlet.

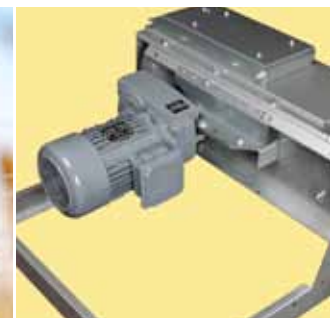


Pop up overloading flap/inspection hatch with safety switch.

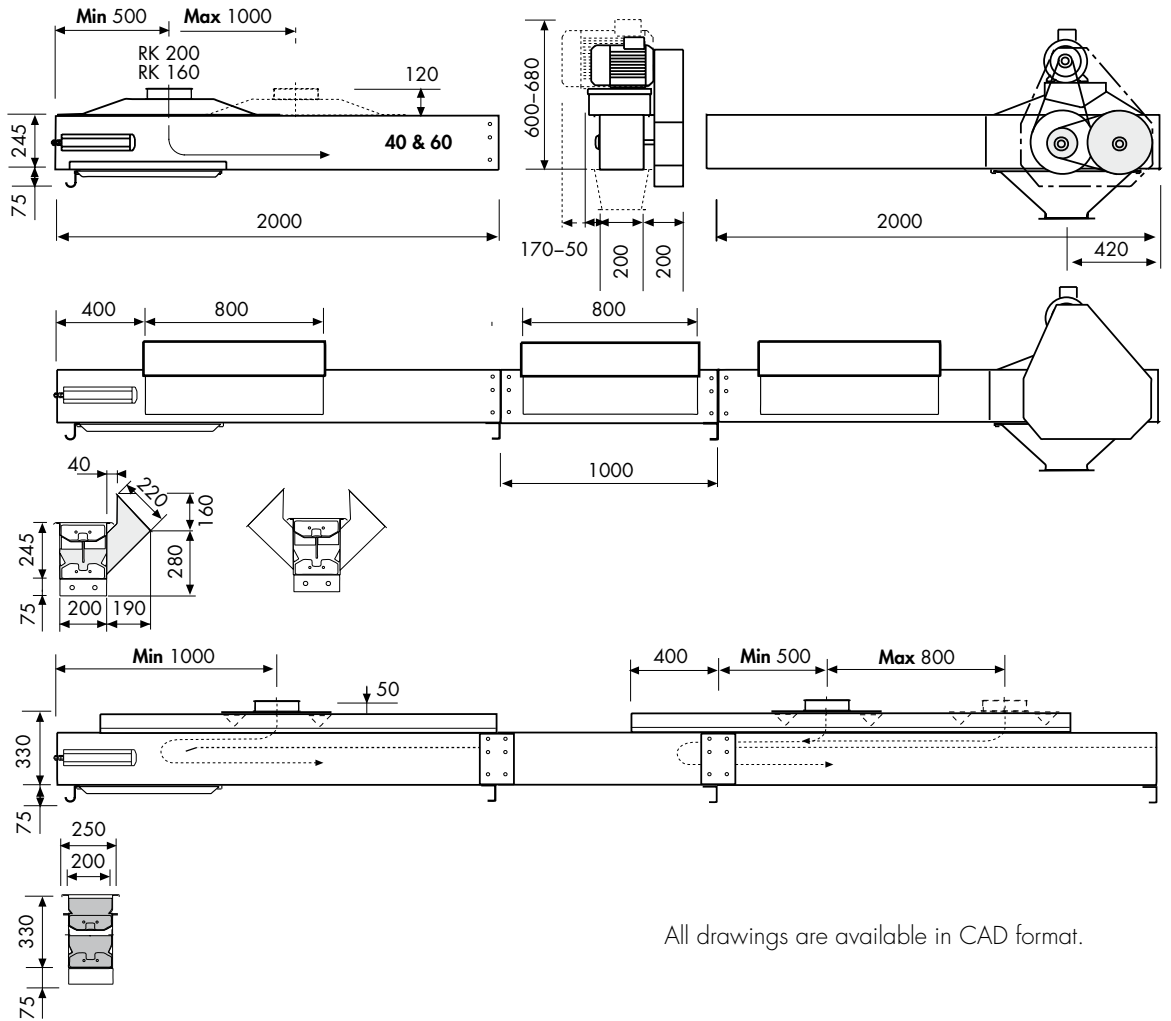
**GALVANISED
ENERGY EFFICIENT
SERVICE FRIENDLY
COMPACT
RELIABLE
EASILY MOUNTED**



**THE
LEADING
COMPANY**



Direct-mounted gearbox motor with support frame.



All drawings are available in CAD format.

KTFb

BOTTOM CONVEYOR

		30 t/h	40 t/h	60 t/h
Capacity for 750 kg/m ³	t/h	27	39	58
Capacity	m ³ /h	36	52	77
Speed	rpm	75	106	159
Chain speed	m/s	0.46	0.65	0.98
Conveyor chain, type		S45V		
Pitch/ultimate tensile strength		mm/33 kN		
Flight, qty/m chain	pcs	3	4	6
Flight, material		Plastic (Polythene)		
Chain sprocket, teeth		9		
Intermediate section, width/height	mm	200 (250)/245		
Plate thickness drive, tail end	mm	1.5 (2.0)		
Plate thickness intermediate section	mm	1.5		
Plate thickness Inlet and outlet hoppers	mm	1.25		
ATEX class [standard equipment]		II 2D/OD		

